

Valve Regulated Lead Acid Battery

Maintenance-Free Sealed Lead Acid Battery.

Absorbent Glass Mat (AGM) technology for efficient gas recombination of up to 99%.

Design for Standby Power Applications

【Design Life】

Up to 10 Years in Standby Service at 25°C
Eurobat (20°C) : 10-12 years, Long Life

【Operating Temperature Range】

Nominal Operating Temperature : 25°C (77°F)
Discharge : -15°C ~ 50°C (5°F~122°F)
Charge: -15°C ~ 40°C (5°F~104°F)
Storage: -15°C ~ 40°C (5°F~104°F)

【Float Charging Voltage】

13.5 ~ 13.8 VDC/Unit at 25°C (77°F)

【Equalization Charging Voltage】

14.4 ~ 15.0 VDC/Unit at 25°C (77°F)

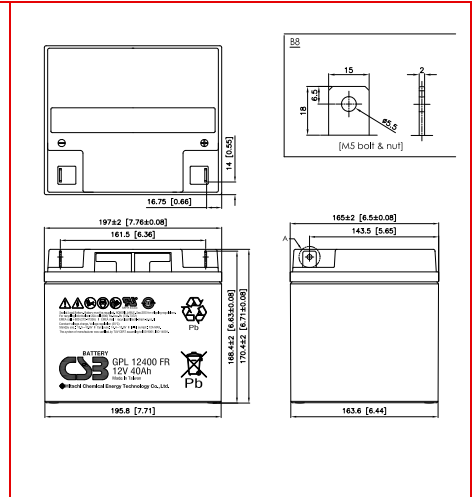
【Self Discharge】

Less than 10% after 90 days, can be stored up to 6 months at 25°C (77°F); Fully recharging is required before usage, and charged sooner if stored at higher temperature than 25°C (77°F).

Specification

Design according with IEC 61056-1/2:2012

Nominal Voltage	12V (6 cells per unit)		
Nominal Capacity	40 Ah @20hr-rate to 1.75V per cell @25°C (77°F)		
Weight	Approx. 14.50 Kg (31.96 lbs)		
Maximum Discharge Current	400A (5sec)		
Internal Resistance	Approx. 6.4mΩ		
Short Circuit Current	--		
Maximum Charge Current	12.00A		
Terminal type	B8-L terminal to accept M5 bolt		
Terminal hardware Torque	59.0 Kgf-cm/ 51.0 lbf-in/ 5.73 N-m		
Container Material	ABS (UL 94-HB) & Flame Retardant (94-V0) available upon request		
Dimensions	Length (L)	197.0±2.0 mm	7.76±0.08 inch
	Width (W)	165.0±2.0 mm	6.50±0.08 inch
	Container Height (h)	170.4±2.0 mm	6.71±0.08 inch
	Overall Height (H)	170.4±2.0 mm	6.71±0.08 inch



Constant Current Discharge Characteristics Unit: A (25°C, 77°F)

F.V/Time	5MIN	10MIN	15MIN	30MIN	60MIN	90MIN	2HR	3HR	5HR	8HR	10HR	20HR
1.60V	162	103.5	78.2	47.7	28.1	20.4	16.3	11.6	7.36	4.83	3.93	2.03
1.67V	145	96.5	74.5	46.7	27.9	20.3	16.2	11.5	7.34	4.77	3.85	1.94
1.70V	137	92.8	72.4	46.1	27.8	20.2	16.1	11.4	7.32	4.75	3.82	1.91
1.75V	124	87.4	69.5	45.0	27.6	20.1	16.0	11.3	7.29	4.69	3.76	1.84
1.80V	111	81.3	65.9	43.8	27.4	19.9	15.9	11.2	7.25	4.62	3.70	1.77
1.85V	98.1	75.1	62.4	42.5	27.0	19.8	15.8	11.1	7.22	4.56	3.64	1.70

Constant Power Discharge Characteristics Unit: W (25°C, 77°F)

F.V/Time	5MIN	10MIN	15MIN	30MIN	60MIN	90MIN	2HR	3HR	5HR	8HR	10HR	20HR
1.60V	1941	1242	938	572	338	245	195	139	88.4	58.0	47.2	24.4
1.67V	1735	1158	895	558	335	243	194	138	88.1	57.3	46.4	23.3
1.70V	1647	1117	869	552	334	242	193	137	87.9	57.0	46.0	22.9
1.75V	1490	1049	830	539	331	241	192	136	87.5	56.3	45.2	22.1
1.80V	1334	975	791	525	328	239	191	135	87.2	55.6	44.4	21.3
1.85V	1178	902	749	510	324	238	190	134	86.7	54.8	43.7	20.6

Please refer to the official site for the latest rating confirmation. URL: www.csb-battery.com

Issued: 161101

Sales Offices

日立化成能源科技股份有限公司
Hitachi Chemical Energy Technology Co., Ltd.

BUSINESS HEADQUARTERS

Tel: +886-2-2880-5600
Fax: +866-2-2888-3300

USA OFFICE

Tel: +1-817-244-7777 / 1-(800)3-CSB-USA (272872)
Fax: +1-817-244-4445

SHENZHEN OFFICE (CHINA)

Tel: +86-755-8831-6488, 8831-6775
Fax: +86-755-8831-6075

EUROPE (EMEA) OFFICE

Tel: +31(0)180-418-140
Fax: +31(0)180-418-327

SHANGHAI OFFICE (CHINA)

Tel: +86-21-5046-1622, 5046-0833
Fax: +86-21-5046-1046

TAIPEI OFFICE

Tel: +886-2-2880-5600
Fax: +866-2-2888-3300

BEIJING OFFICE (CHINA)

Tel: +86-10-5820-5336, 5820-5338
Fax: +86-10-5820-3053

Recognized under UL 1989,
and certified by ISO 9001, 14001.

